

TOASTER
BROODROOSTER
TOSTADOR
TORRADEIRA
ΦΡΥΓΑΝΙΕΡΑ
TOASTER
BRÖDROST
BRØDRISTER
LEIVÄNPAAHDIN
TOSTER
KENYÉRPIRÍTÓ
TOUSTOVAÍ
ТОСТЕРА



Istruzioni per l'uso
Instructions for use
Mode d'emploi
Gebrauchsanweisung
Gebruiksaanwijzing
Instrucciones para el uso
Instruções de uso
Brugsanvisning
Käyttöohje
Instrukcja obsługi
Használati utasítás
Návod k použití
Инструкции по эксплуатации

ELECTRICAL REQUIREMENTS (UK ONLY)

Before using this appliance ensure that the voltage indicated on the product corresponds with the main voltage in your home, if you are in any doubt about your supply contact your local electricity company.

The flexible mains lead is supplied connected to a B.S. 1363 fused plug having a fuse of 13 amp capacity. Should this plug not fit the socket outlets in your home, it should be cut off and replaced with a suitable plug, following the procedure outlined below.

Note: Such a plug cannot be used for any other appliance and should therefore be properly disposed of, (having removed the fuse) and not left where children might find it and plug it into a supply socket - with the obvious consequent danger.


N.B. We recommend the use of good quality plugs and wall sockets that can be switched off when the machine is not in use.

IMPORTANT: the wires in the mains lead fitted to this appliance are coloured in accordance with the following code:

GREEN AND YELLOW
BLUE
BROWN

EARTH
NEUTRAL
LIVE

As the colours of the wires in the mains lead of this appliance may not correspond with the coloured markings identifying the terminals in your plug, proceed as follows:

The wire which is coloured green and yellow must be connected to the terminal in the plug which is marked with the letter E or by the earth symbol  or coloured green or green and yellow.

The wire which is coloured blue must be con-

nected to the terminal which is marked with the letter N or coloured black.

The wire which is coloured brown must be connected to the terminal which is marked with the letter L or coloured red.

When wiring the plug, ensure that all strands of wire are securely retained in each terminal. Do not forget to tighten the mains lead clamp on the plug. If your electricity supply point has only two pin socket outlets, or if you are in doubt, consult a qualified electrician.

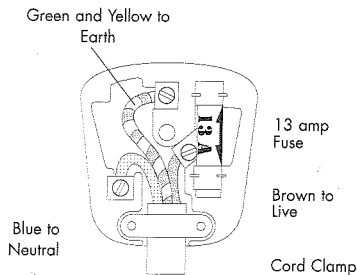
Should the mains lead ever require replacement, it is essential that this operation be carried out by a qualified electrician and should only be replaced with a flexible cord of the same size.

If the plug is a moulded-on type the fuse cover must be refitted. If the fuse cover is lost, the plug must not be used until a replacement cover is obtained. The colour of the correct replacement fuse cover is that of the coloured insert in the base of the fuse recess or elsewhere on the plug. Always state this colour when ordering a replacement fuse cover.

Only 13amp replacement fuses which are ASTA approved to B.S. 1362 should be fitted.

This appliance conforms to the Norms EN 55014 regarding the suppression of radio interference.

WARNING - THIS APPLIANCE MUST BE EARTHED



IMPORTANT WARNINGS

- The appliance is exclusively for the use for which it has been expressly manufactured. Any other use is to be considered inappropriate and therefore dangerous. The manufacturer cannot be held responsible for eventual damage caused by inappropriate, improper or irresponsible use and/or for repairs made to the product by unauthorised personnel.
- After having removed the appliance from the packaging, make sure that the product is complete and in perfect condition.
- The plastic bag in which the appliance was packaged should be kept out of reach of children as it poses a suffocation hazard. In order to remove the dust that may have accumulated on the appliance, simply dust it off with a soft cloth.
- Before inserting the plug into the electrical outlet, make certain:
 - the voltage of the outlet corresponds to the value indicated on the information label, attached to the appliance.
 - the electrical outlet has sufficient grounding capacity: **the manufacturer declines any responsibility for the lack of observation of this norm.**
- In the case of incompatibility between the outlet and the plug of the appliance, have it replaced by a qualified technician. The use of adapters, multiple socket units and/or extension cords is not recommended. Whenever it may be necessary to use such equipment, it is advisable to use only simple or multiple adapters or extension cords which comply with the current safety standards, and make sure not to exceed the voltage limit of the adapter or extension cord.
- When the appliance is plugged into the electrical outlet, and moreover, while it is turned on, never place hands into the bread toasting slots (A).
- The appliance is not intended for use by young children or infirm persons without supervision.
- Young children should be supervised to ensure that they do not play with the appliance.
- Do not touch the appliance with wet or damp hands.
- The metal sides of the toaster and the areas surrounding the bread slots (A) become very hot during use: control the appliance touching only the plastic dials and handles.
- **Bread is a foodstuff which may catch fire.** Do not use this appliance under or next to

curtains or other combustible material.

- Do not cover the appliance while it is in use.
- Do not use the appliance with bare or wet feet.
- Unplug the appliance from the electrical outlet when it is not in use.
- Do not leave the appliance on when not being used as this may be potentially dangerous.
- Do not unplug the appliance from the outlet by pulling on the cord.
- Do not leave the appliance exposed to the elements, (rain, direct sunlight, frost, etc.).
- Before doing any cleaning or operation, unplug the appliance from the electrical outlet. Do not immerse the appliance, the plug, or the electrical cord in water.
- In case of break down or improper functioning of the appliance, turn off the appliance without tampering with it. For necessary repairs and for the substitution of the electrical cord, consult the technical service centre authorised by the manufacturer.

This appliance conforms to the Directive 89/336/CEE relative to electromagnetic compatibility.

The materials and the objects destined for contact with food products are in compliance with the regulations of the EEC directive 89/109.

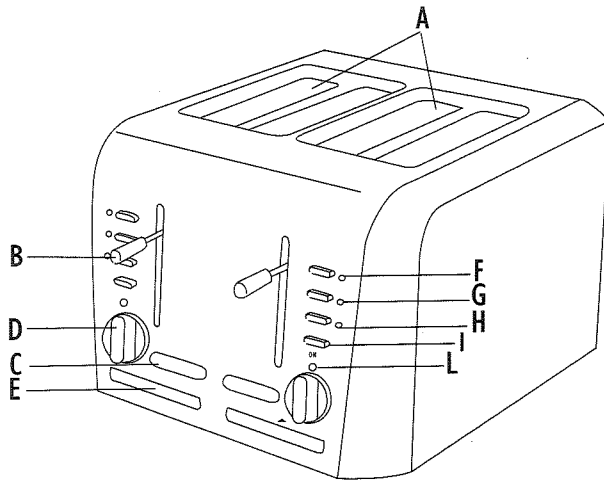
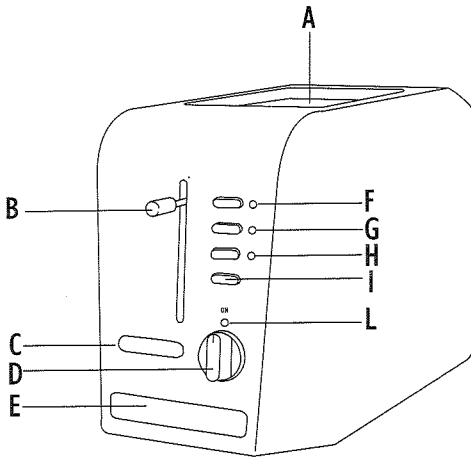
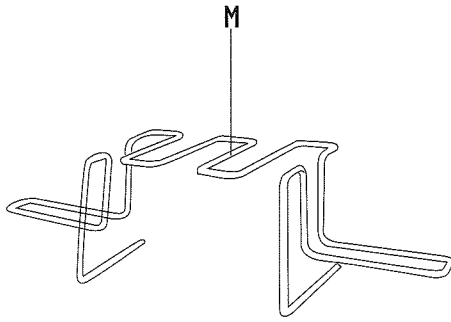
IMPORTANT INFORMATION FOR CORRECT DISPOSAL OF THE PRODUCT IN ACCORDANCE WITH EC DIRECTIVE 2002/96/EC.



At the end of its working life, the product must not be disposed of as urban waste.

It must be taken to a special local authority differentiated waste collection centre or to a dealer providing this service.

Disposing of a household appliance separately avoids possible negative consequences for the environment and health deriving from inappropriate disposal and enables the constituent materials to be recovered to obtain significant savings in energy and resources. As a reminder of the need to dispose of household appliances separately, the product is marked with a crossed-out wheeled dustbin.



DESCRIPTION OF APPLIANCE

- A) Bread toasting slots
- B) ON lever
- C) Browning monitor window
- D) Browning control dial
- E) Crumb collection tray
- F) Defrost button + light
- G) Reheating button + light
- H) Bagel button + light
- I) Stop/clear button
- L) ON light
- M) Warming rack device (if fitted)

USE OF THE COMMANDS

- Make sure that the lever (B) is raised and the dial (D) is set for a medium toasting level.
- Connect the appliance to the electrical outlet. In order to eliminate the "new" smell at the first use, operate the appliance without any food inside for at least 5 minutes. Aerate the room during this operation.
- Insert the slices of bread into the bread toasting slots (A) and lower the lever (B) until it is all the way down.
The ON light remains lit, indicating that the toaster is operating, until the lever comes back up.
Note: If the appliance is not connected to the electrical outlet, the lever (B) will not stay down.
- When the toasting is finished, the lever returns to the raised position, raising the toasted bread slices at the same time.
- If the bread is not sufficiently toasted, select a darker degree of toasting by turning the dial (D).
- The toasting can be interrupted at any moment simply by pressing the Stop/clear button (I).
Caution: the Bread toasting slots becomes very hot during operation.
- Do not touch.

Defrost function

Frozen slices of bread may be toasted by pressing the Defrost button (F) immediately after lowering the lever (B); the toasting cycle will be lengthened in order to achieve the desired browning.
The warning light will remain lit while the defrost function is in use.

Reheat function

Press down the ON lever (B) and press the Reheating button (G). The reheat light will remain on while the reheat function is in use. Please note that this is a fixed reheat time which cannot be adjusted by the browning control

Bagel function

The "Bagel" function allows for the toasting of bread or the browning of muffins, etc. on one side only.

Muffins must first be sliced in half. Press down the ON lever (B) and press the Bagel button; only the outer resistances of the toaster will operate.

The warning light will remain lit while the Bagel function is in use.

"WARMING RACK" device (M) (if fitted)

Use this device to heat food.

- Rest the food on the rack.
- Turn the browning control dial (D) to the desired position.
- Press down the control lever (B).
- If the food is not warm enough, next time select a darker level of toasting.

SUGGESTIONS

- Never use the appliance when it is empty (when there is no bread inside).
- Do not use very thin or broken slices of bread.
- Do not insert other foods that may drip during the cooking process.
In addition to making the cleaning procedure more difficult, these may cause fires.
It is also very important to clean the crumb collection tray of any drippings before each use.
- Do not insert (by force) foods that are too big for the slots.
- Do not insert forks or other utensils into the toaster in order to remove bread, in so far as it may damage the resistance coils of the appliance.
Remove the plug from the outlet and turn the appliance over, gently shaking it to remove the lodged item.

CLEANING AND MAINTENANCE

- Any cleaning and/or maintenance operation must be done after having removed the plug from the electrical outlet.
- Let the appliance cool down before proceeding with its cleaning.
- The external part of the appliance must be cleaned with a soft cloth. Do not use abrasive detergents that can ruin the surface.
- DO NOT IMMERSE IN WATER.
- After each use, remove the plug from the electrical outlet and empty the crumb collection tray that is under the appliance.
- Should some toast remain blocked in the toaster, remove the plug from the mains, turn the toaster over and shake it gently.